

Gearboxes

Type 332

Spur Ovoid

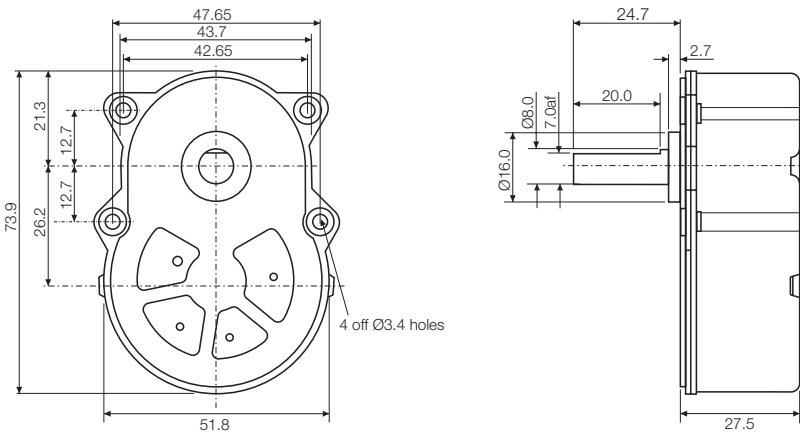
Issue 05:CN3794



Rotalink

Miniature Motors, Transmission and Control

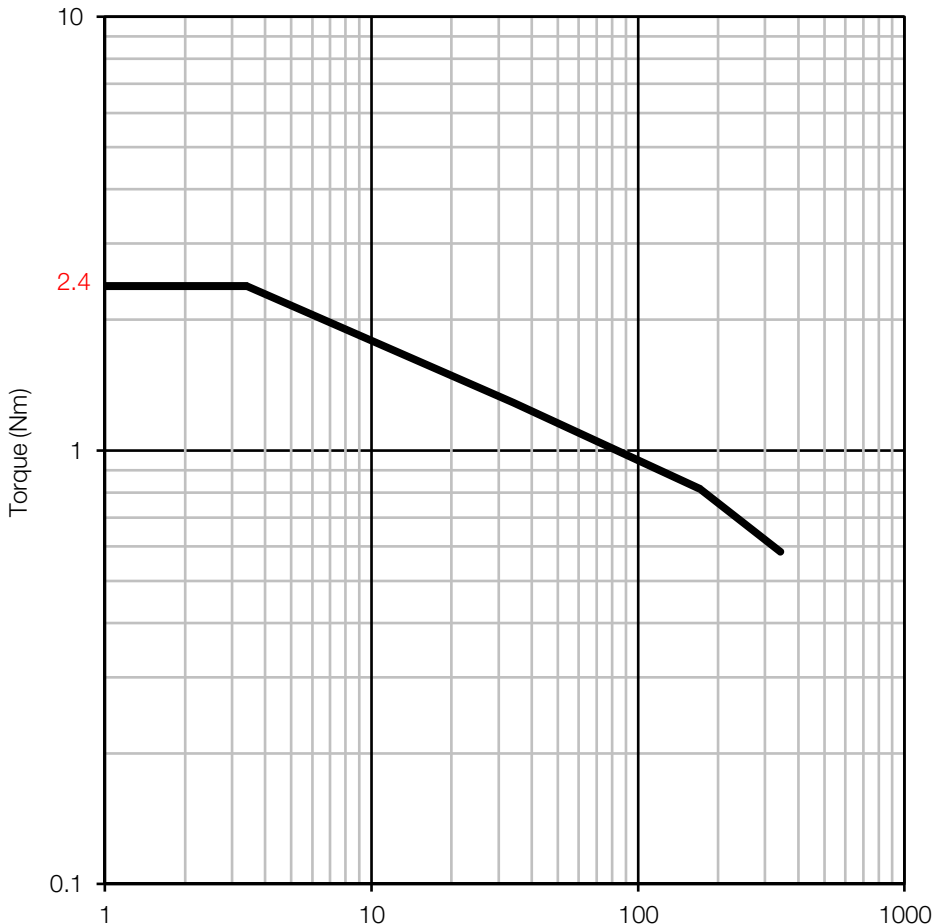
Units: mm



Typical Ratios

5:1 (1425:299)	60:1 (10108:169)
7:1 (150:23)	75:1 (12635:169)
8:1 (9975:1196)	93:1 (63175:676)
9:1 (11025:1196)	117:1 (315875:2704)
13:1 (3800:299)	187:1 (63175:338)
14:1 (4200:299)	224:1 (37905:169)
17:1 (2888:169)	299:1 (50540:169)
23:1 (304:13)	598:1 (101080:169)
37:1 (12635:338)	1196:1 (202160:169)
48:1 (40432:845)	

Characteristics



General Specification

Zinc plated pressed steel gearbox case and front cover with 4 point fixing. Spur gears running on fixed steel spindles. Ultra polymer gears, stainless steel shaft, ball race front and back bearing. Maximum temperature 80°C at the gearcase.

Gearbox Options

Special shafts
Threaded eyelets - Min bulkhead thickness for countersunk screws, M3-2mm, M4-2.5mm
Other non-standard ratios

Contact:

www.rotalink.com
info@rotalink.com
T: +44 (0)1460 72000

Rotalink Limited
Cropmead, Crewkerne
Somerset TA18 7HQ, UK

www.rotalink.com