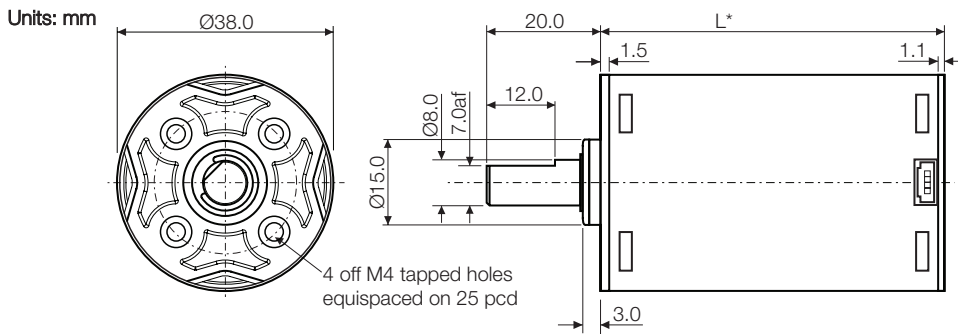


# Gearboxes

Type PG38E

Planetary Polymer

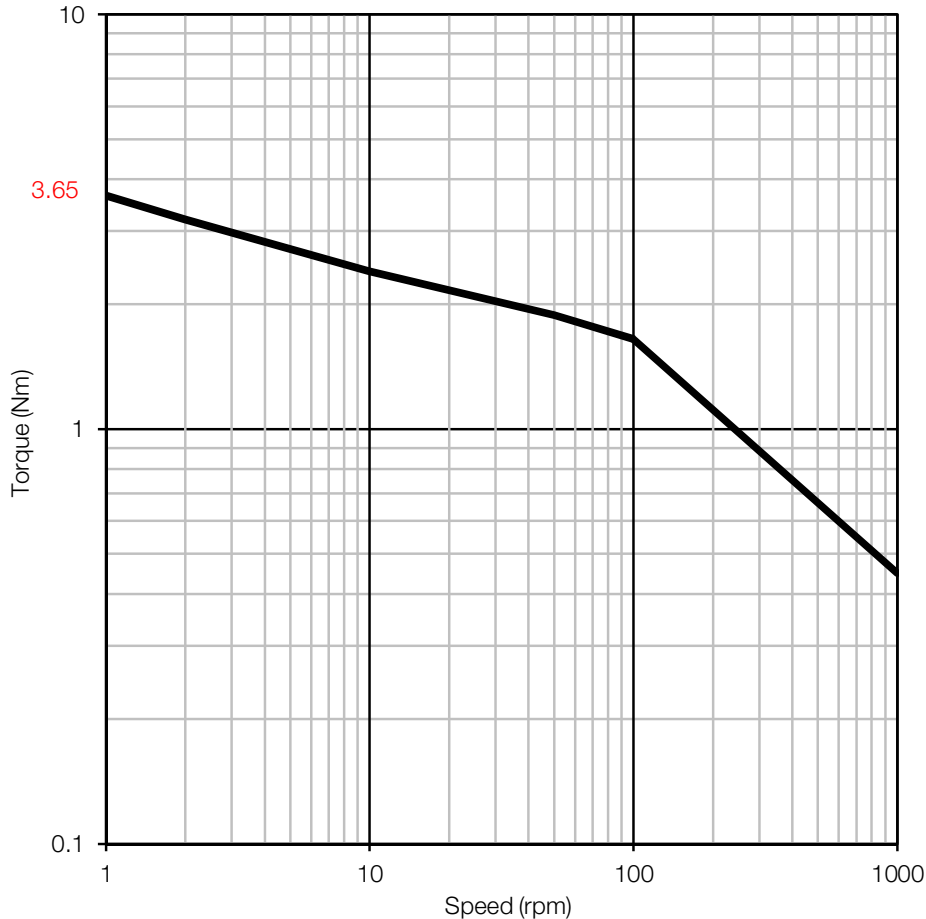
Issue 01:CN4089



## Typical Ratios

4:1 <sup>(95:23)</sup>	105:1 <sup>(209:2)</sup>
12:1 <sup>(285:23)</sup>	154:1 <sup>(81225:529)</sup>
15:1 <sup>(2375:161)</sup>	183:1 <sup>(676875:3703)</sup>
19:1	204:1 <sup>(9405:46)</sup>
37:1 <sup>(855:23)</sup>	252:1 <sup>(21434375:85169)</sup>
42:1 <sup>(969:23)</sup>	335:1 <sup>(2481875:7406)</sup>
51:1 <sup>(27075:529)</sup>	446:1 <sup>(287375:644)</sup>
70:1 <sup>(857375:12167)</sup>	516:1 <sup>(1092025:2116)</sup>
87:1 <sup>(437:5)</sup>	

## Characteristics



## General Specification

Steel rolled cover enclosing polymer end plates with ultra polymer annulus and gears. 4 point equispaced fixings. Stainless steel shaft with ball race bearing.

Integral encoder with 4 pin connector. Maximum temperature 80°C at the gearcase.

L\* (Lengths dependent on gear ratio)

4:1	- 30.6 mm
12:1 - 19:1	- 38.2 mm
37:1 - 105:1	- 45.7 mm
154:1 - 516:1	- 53.3 mm

### Contact:

[www.rotalink.com](http://www.rotalink.com)  
[info@rotalink.com](mailto:info@rotalink.com)  
 T: +44 (0)1460 72000

Rotalink Limited  
 Cropmead, Crewkerne  
 Somerset TA18 7HQ, UK

[www.rotalink.com](http://www.rotalink.com)